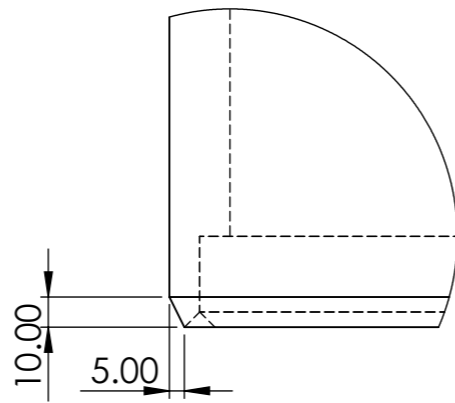
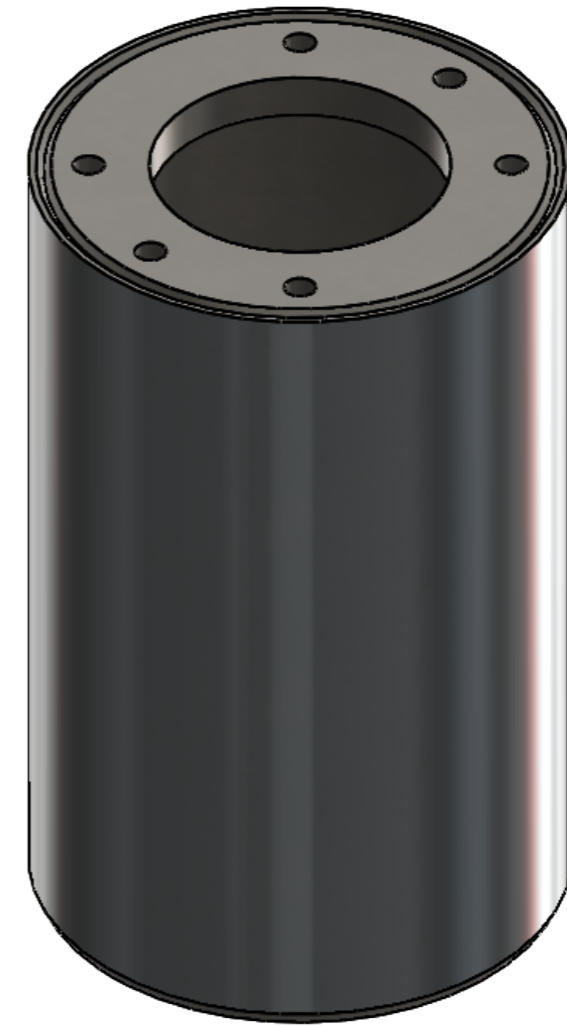
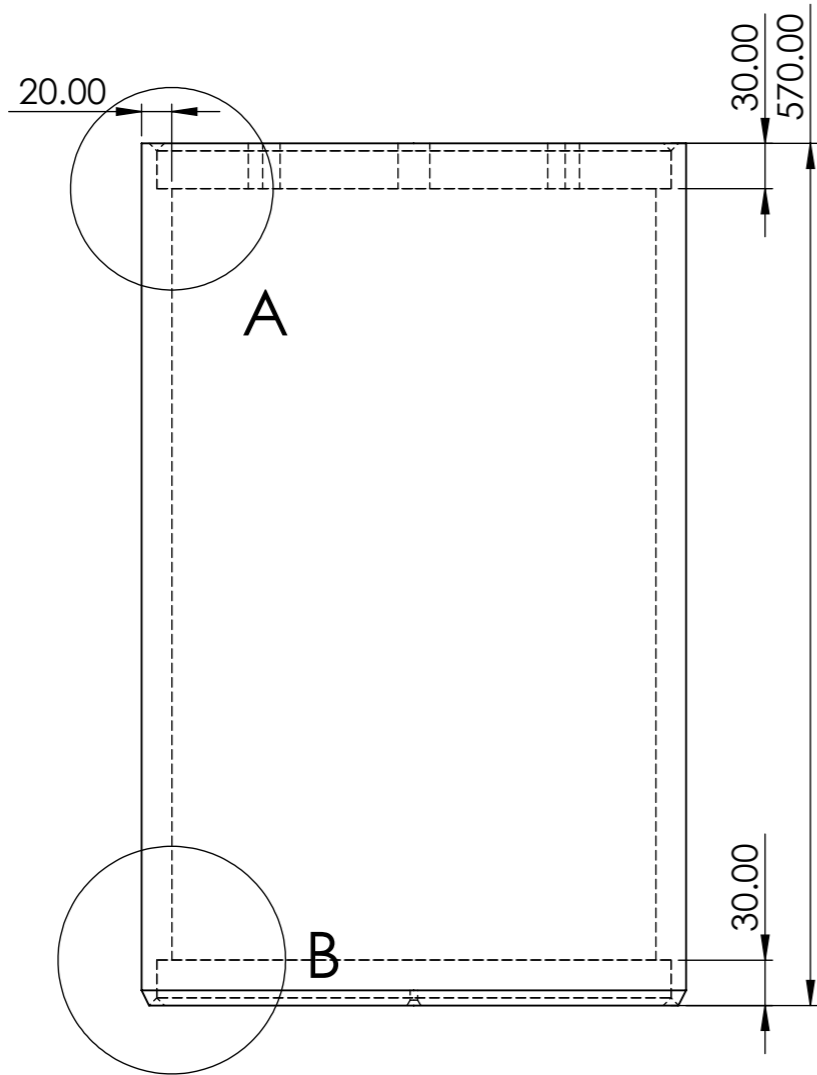


DETAIL A
SCALE 2 : 5



DETAIL B
SCALE 2 : 5



UNLESS OTHERWISE SPECIFIED: DIMENSIONS ARE IN MILLIMETERS SURFACE FINISH: Polished TOLERANCES: LINEAR: ±0.1mm ANGULAR: ±0.1deg		FINISH: Chrome Plated, Polished		DEBURR AND BREAK SHARP EDGES		DO NOT SCALE DRAWING		REVISION 01	
DRAWN B. Evans		SIGNATURE		DATE 30/09/23		TITLE: DYNASURF Chrome Cylinder			
CHK'D		APPV'D		MFG		Q.A		MATERIAL: Mild Steel	
DWG NO.		DS0001		A3		WEIGHT: 124.14Kg		SCALE:1:10	
SHEET 1 OF 1									